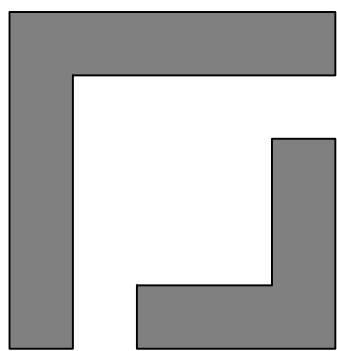
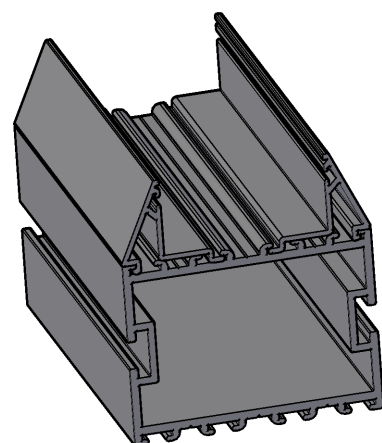
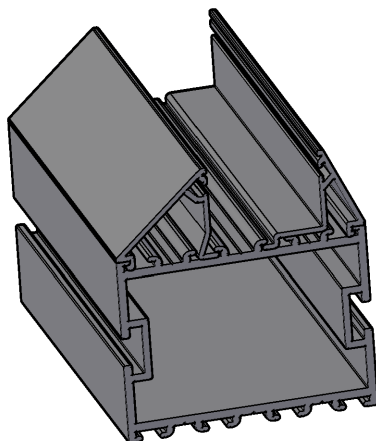
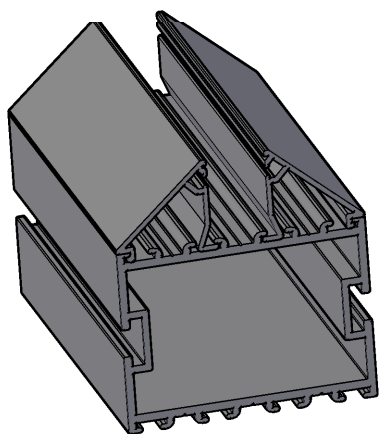
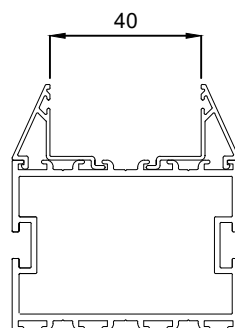
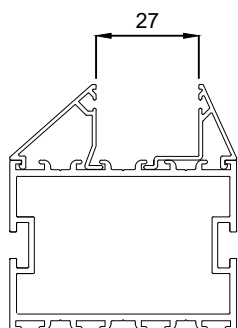
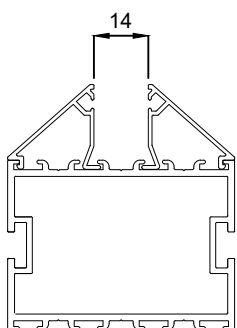


TM



10EXP



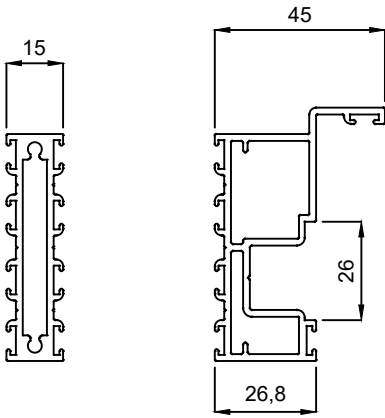
INDEX

DIE CHART	Pg.1
DOUBLE DOOR	Pg.2
DOUBLE DOOR & SIDELIGHT	Pg.3
DOUBLE SLIDING DOOR	Pg.4
TRIPLE SLIDING DOOR	Pg.5
BI-PARTING SLIDING DOOR	Pg.6
SLIM LINE SYSTEM	Pg.7
CURTAIN WALL	Pg.8
SLIDING/FOLDING DOOR	Pg.9

We introduce you to our new fenestration system called 10EXP which we believe will revolutionize the industry and effectively compete with the other two existing high-end players in a market which is dominated by anachronistic systems.

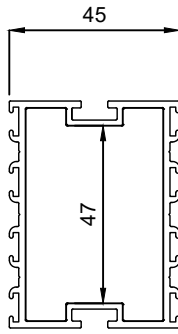
We have designed and developed a cost effective, high quality product in which we have so much trust that we offer a life-time guarantee on all our shopfronts, windows and doors.

10EXP is a unique, attractive, quality system boasting superior watertight abilities and high inertia's allowing derived products to withstand extreme wind loads. Our products stand out for their attractive stylishness and robust quality.

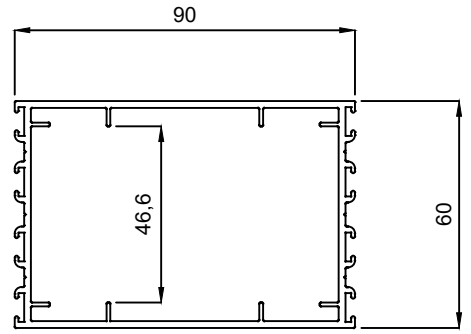


6015

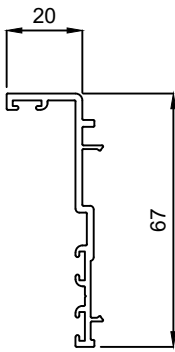
6027



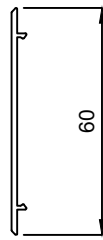
6045



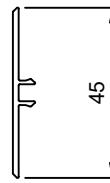
6090



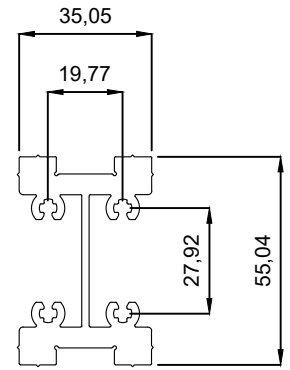
REBATE



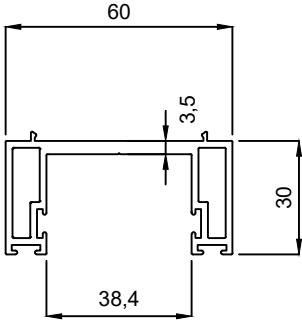
60 CLIP



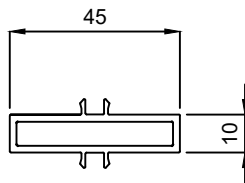
45 CLIP



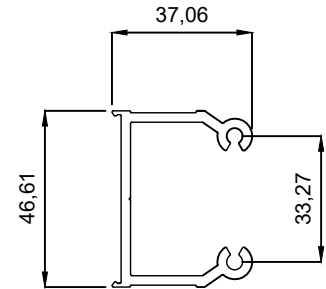
SPIGOT



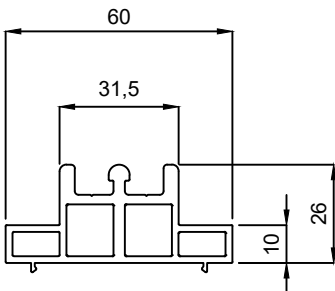
FEMALE



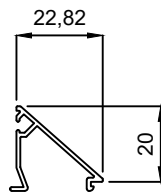
1045



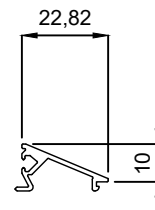
INSERT



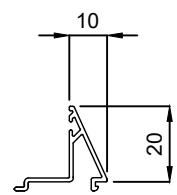
MALE



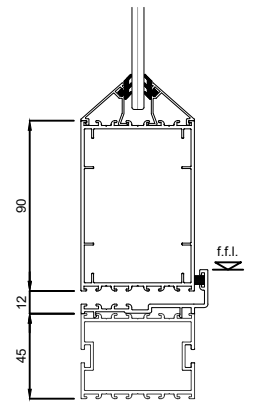
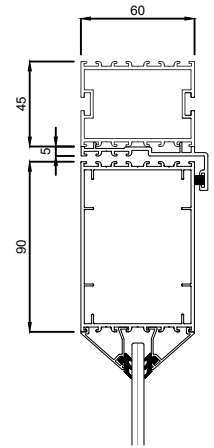
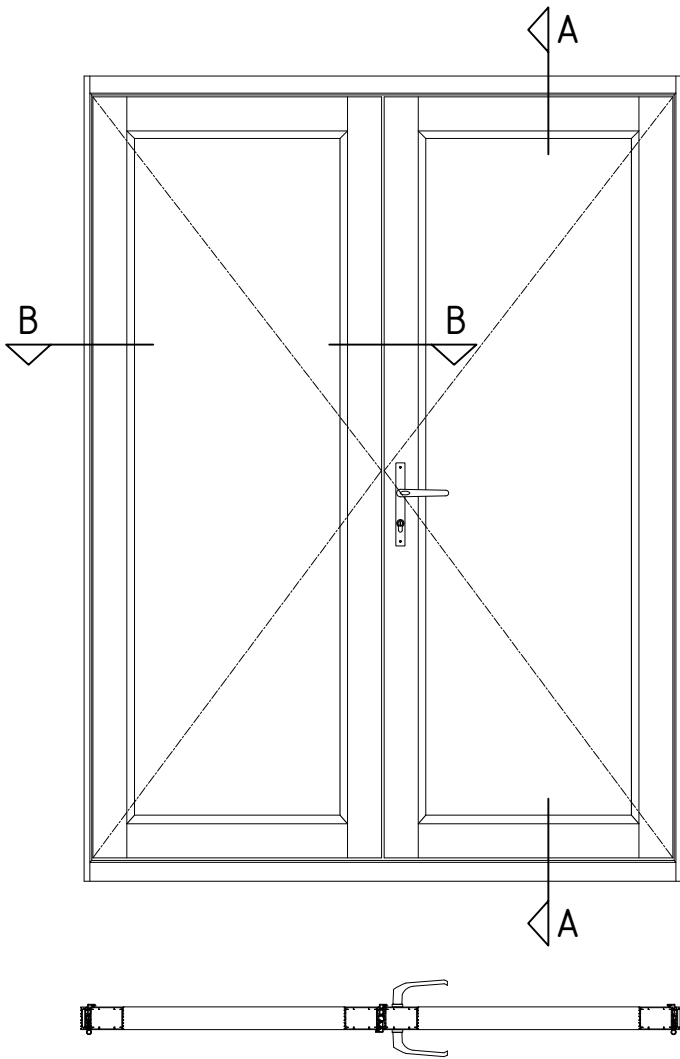
BEAD 20



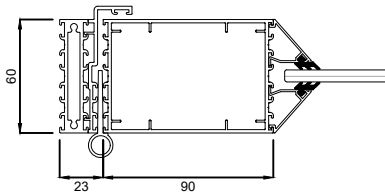
BEAD 10



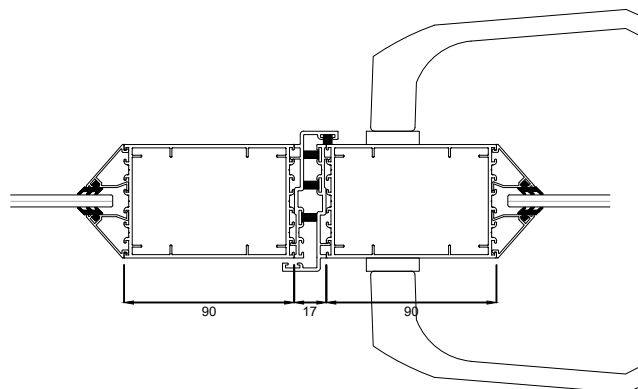
BEAD SIG

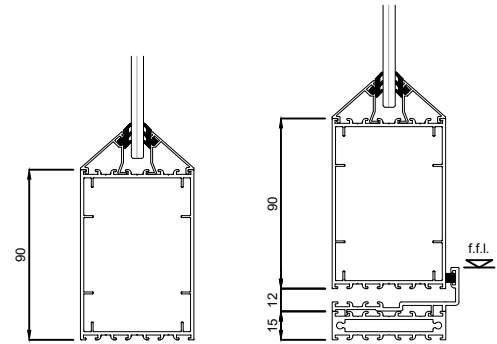
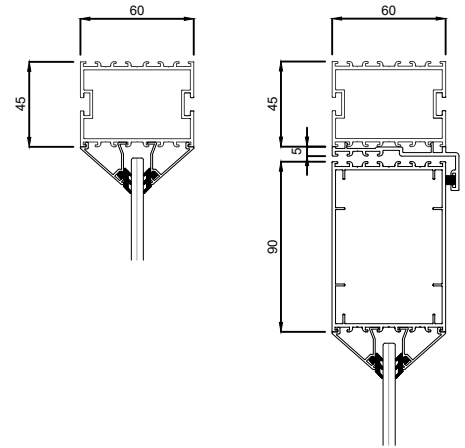
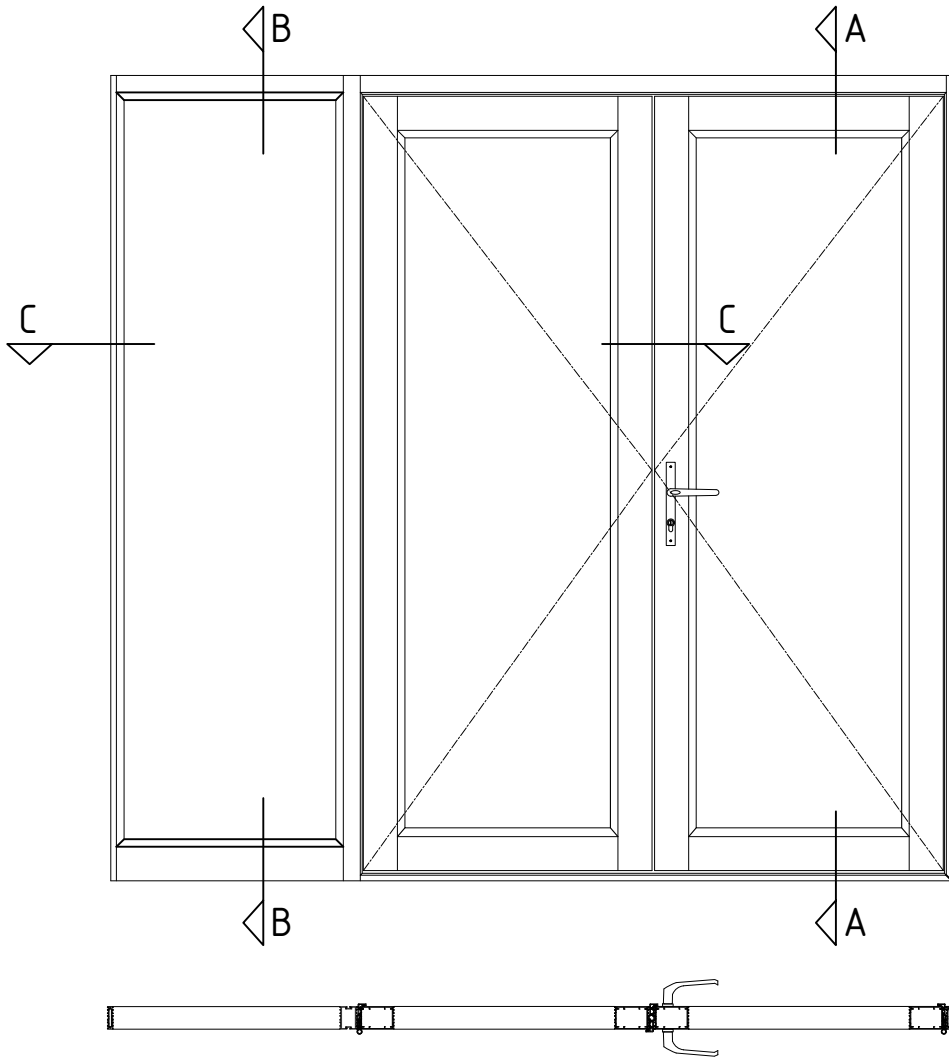


SECTION A-A



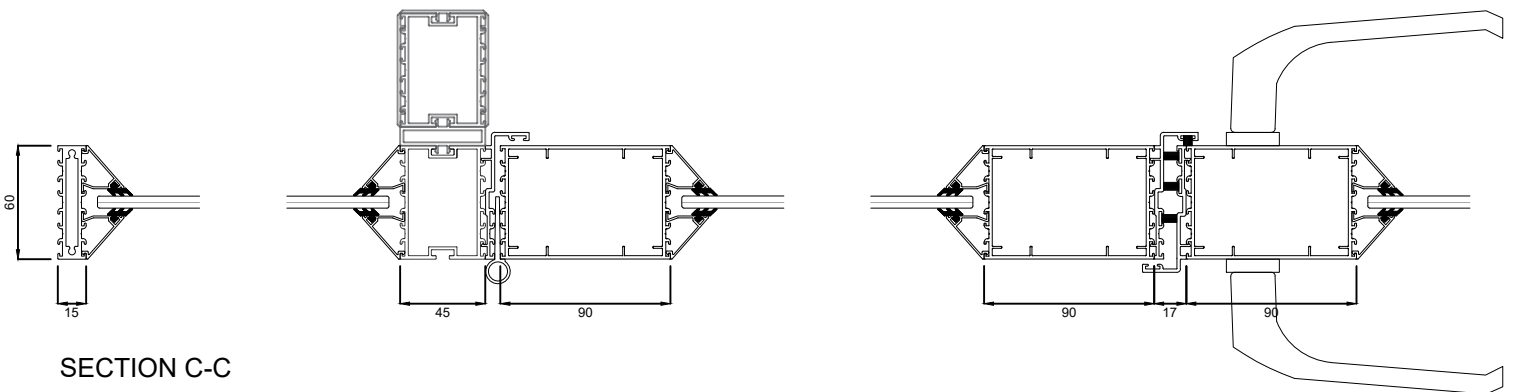
SECTION B-B



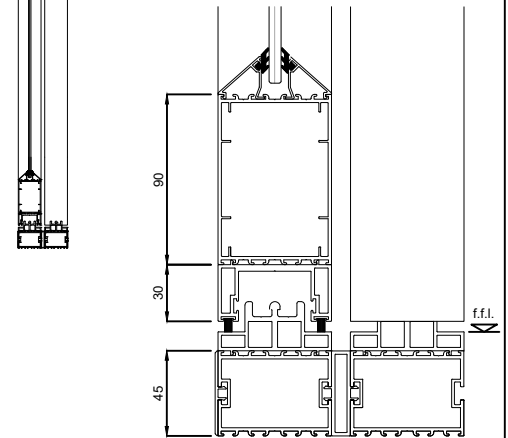
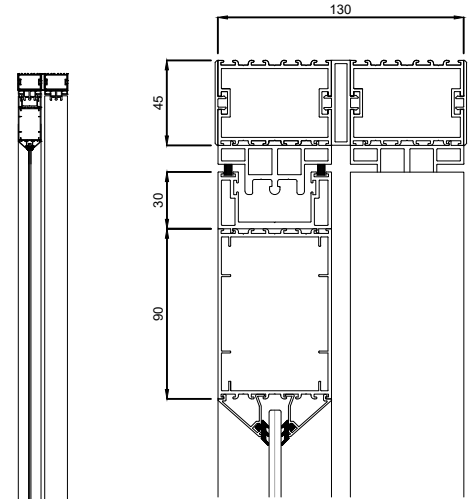
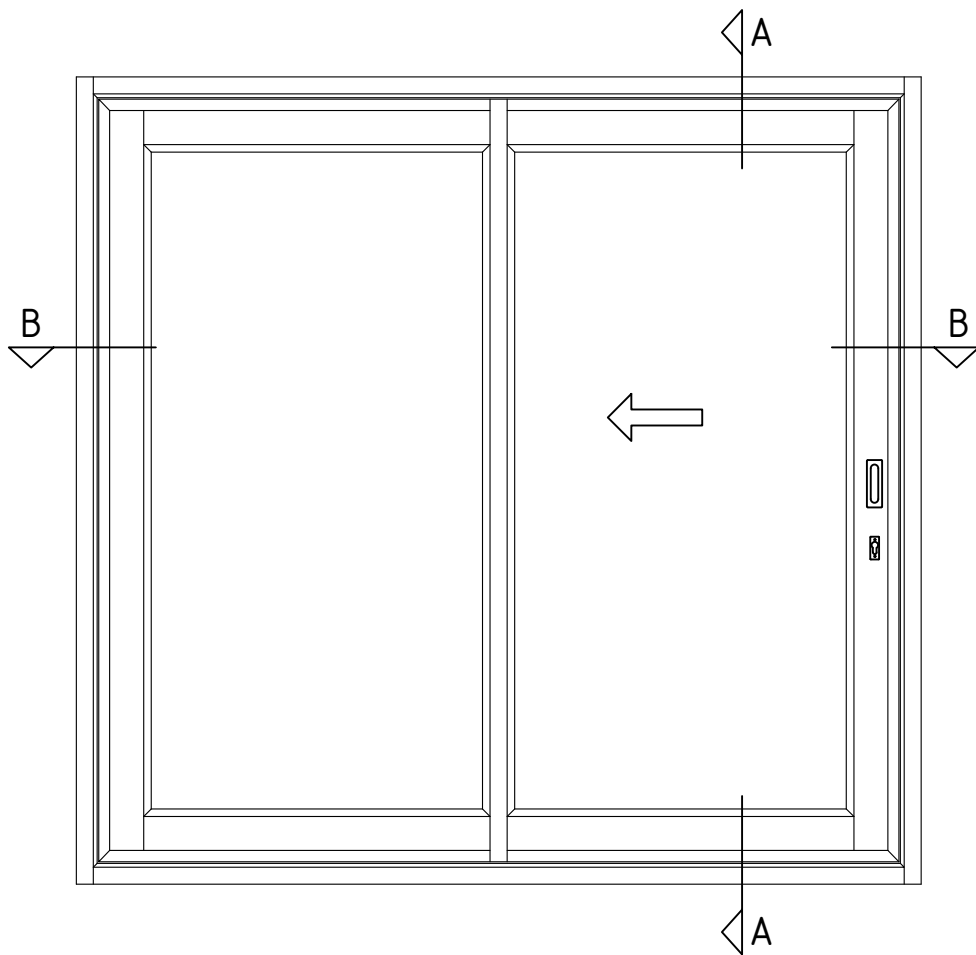


SECTION B-B

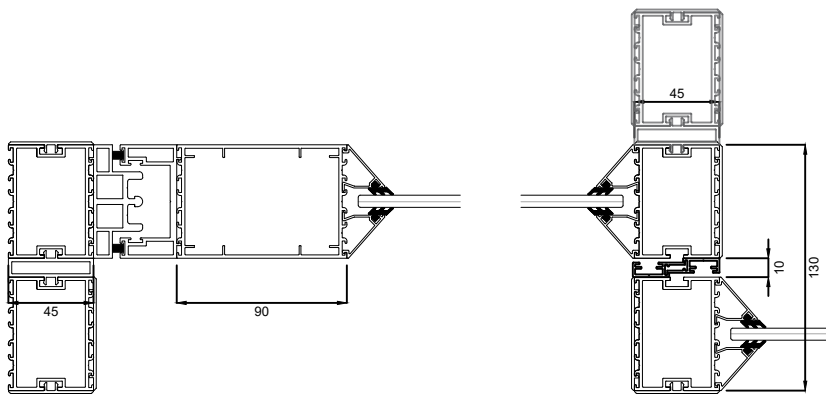
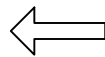
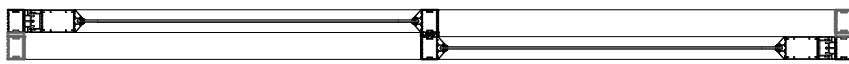
SECTION A-A



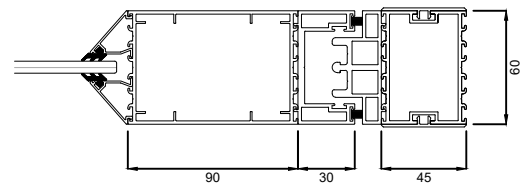
SECTION C-C

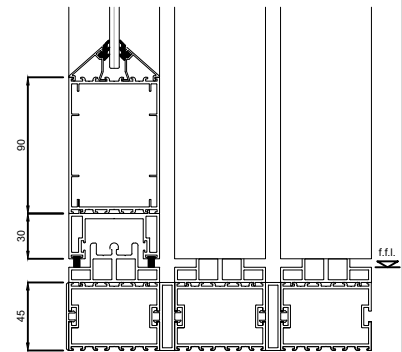
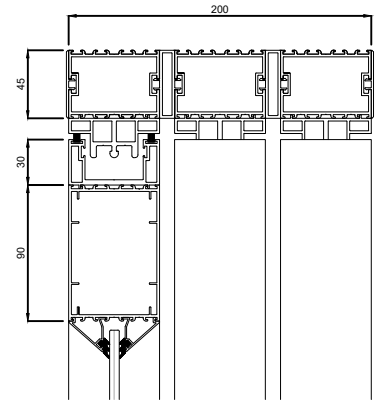
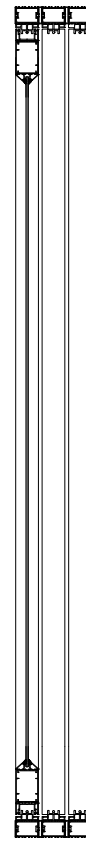
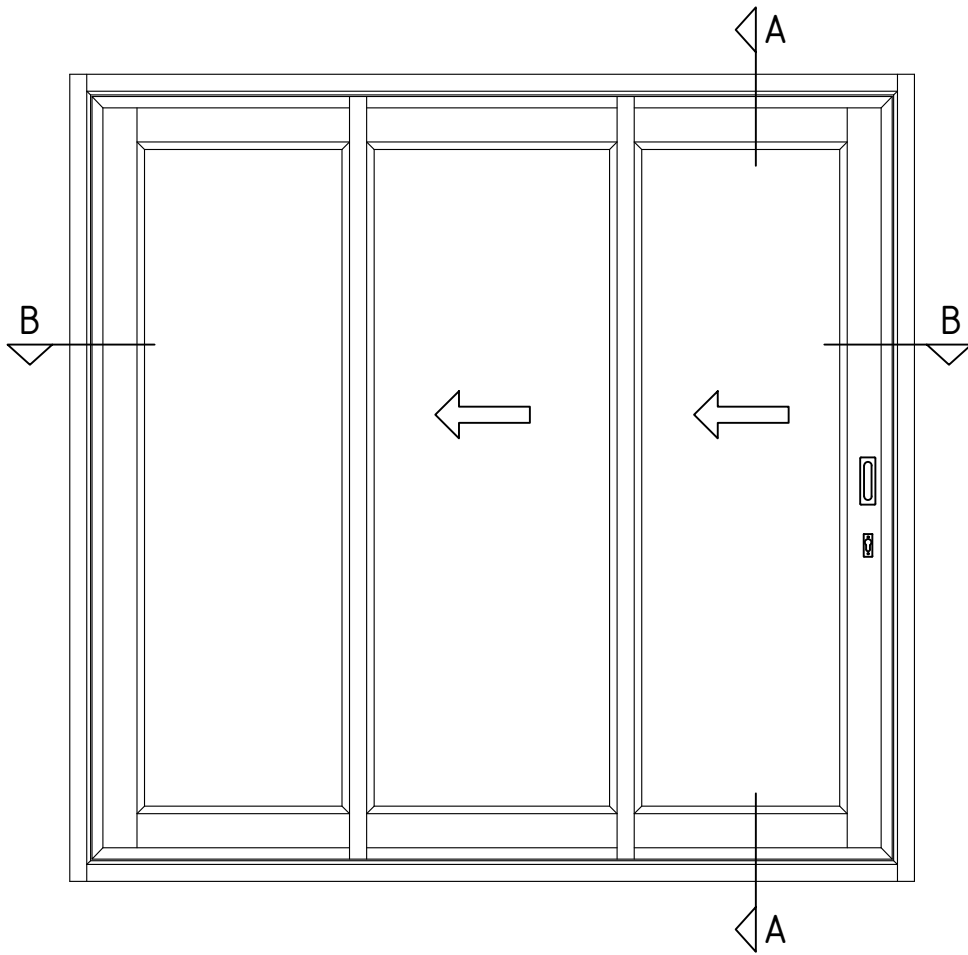


SECTION A-A

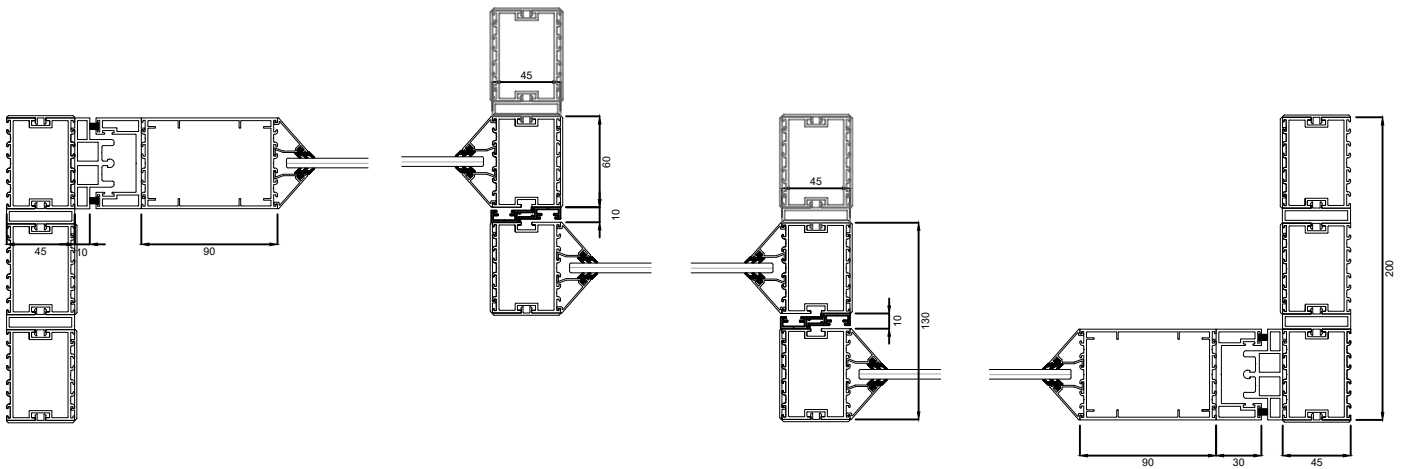
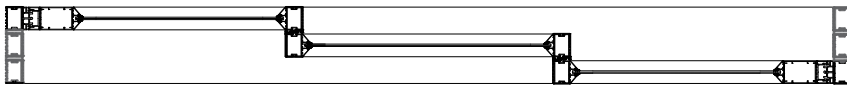


SECTION B-B





SECTION A-A

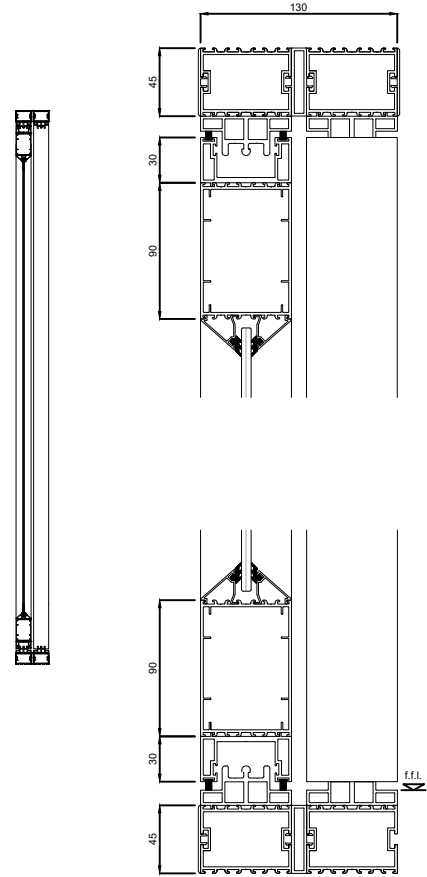
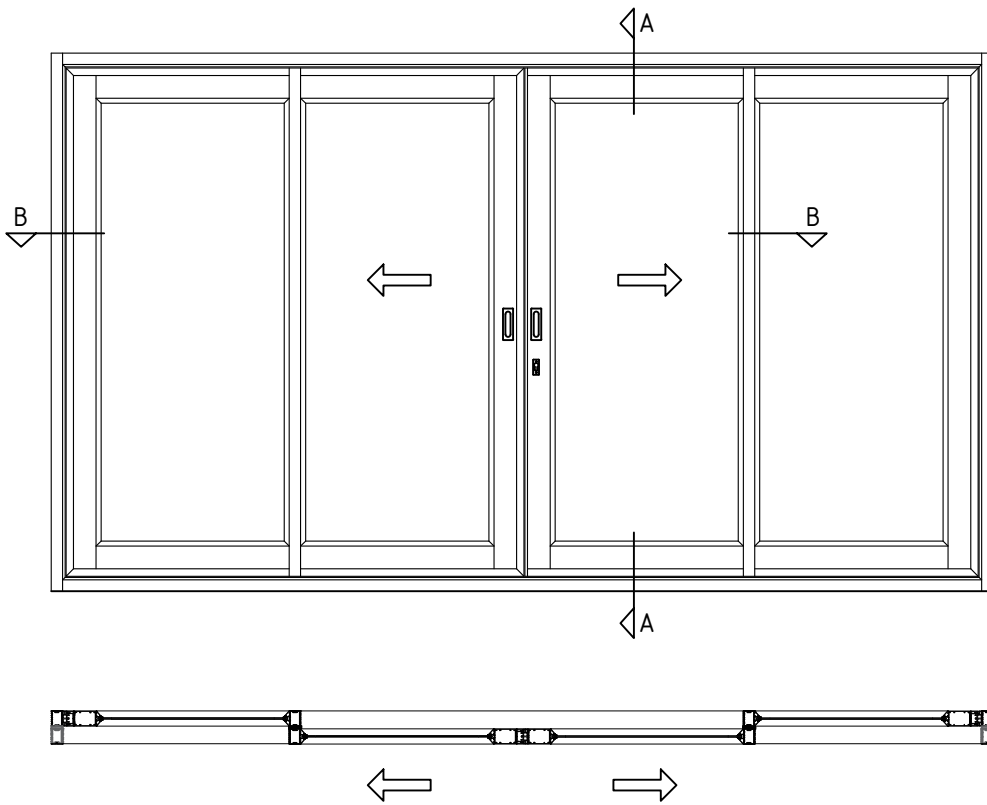


SECTION B-B

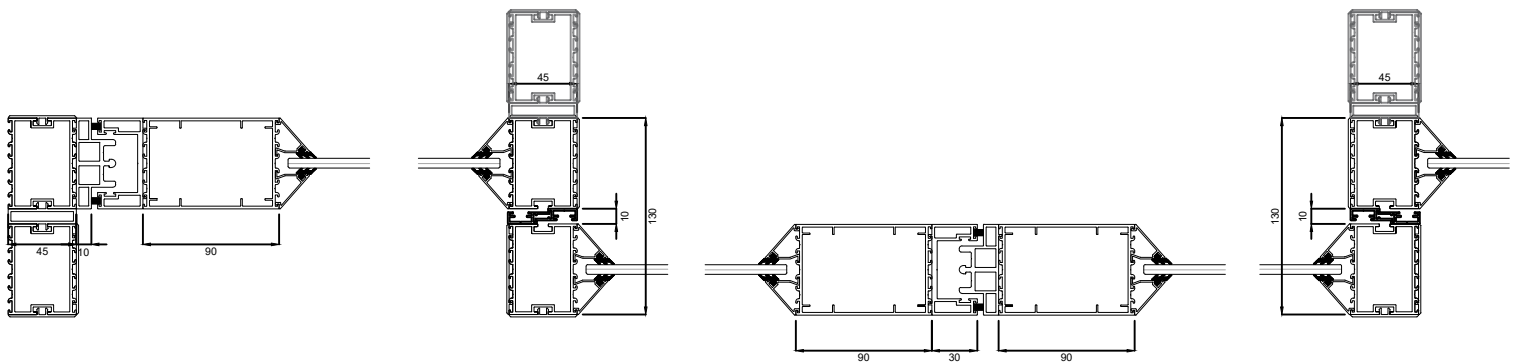
TRIPLE SLIDING DOOR

5

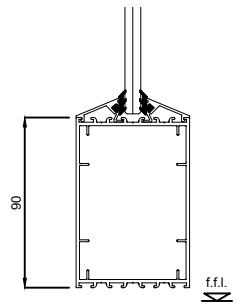
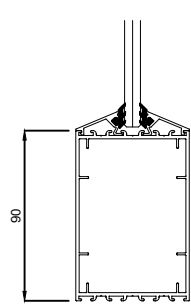
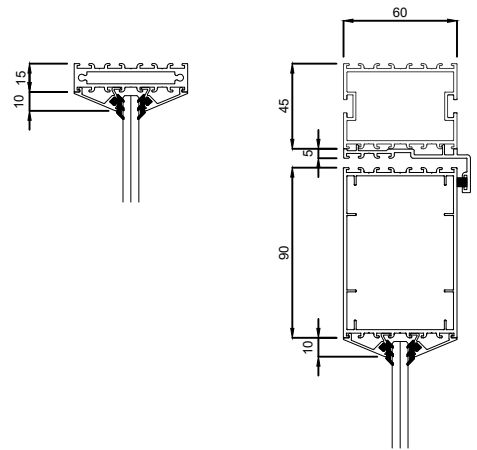
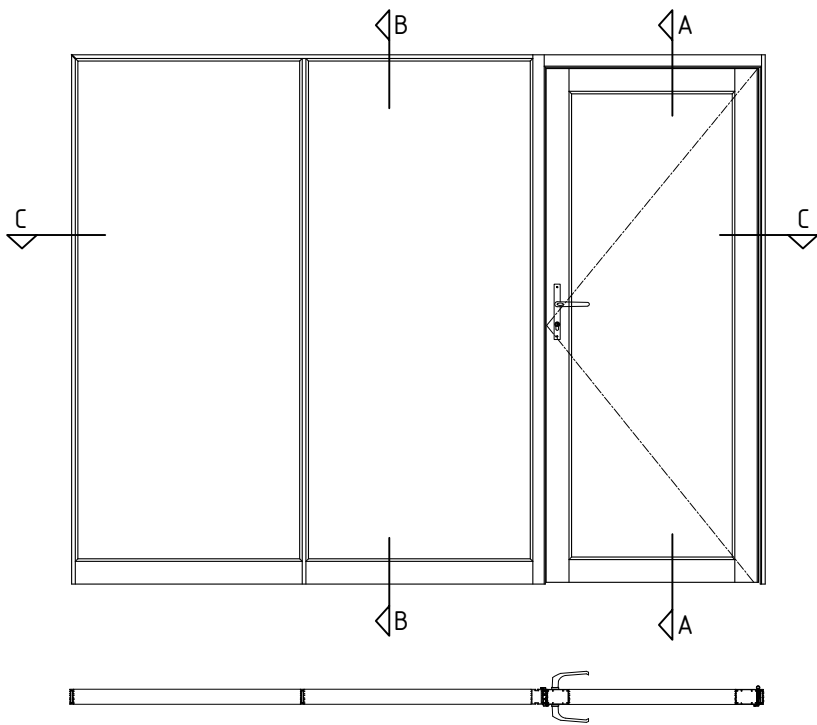
10EXP™



SECTION A-A

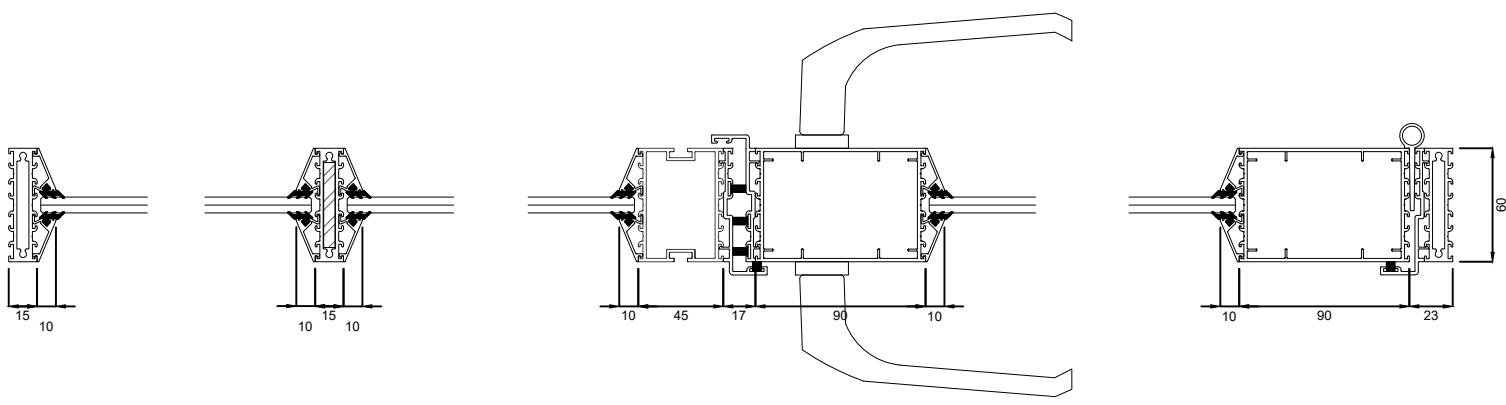


SECTION B-B

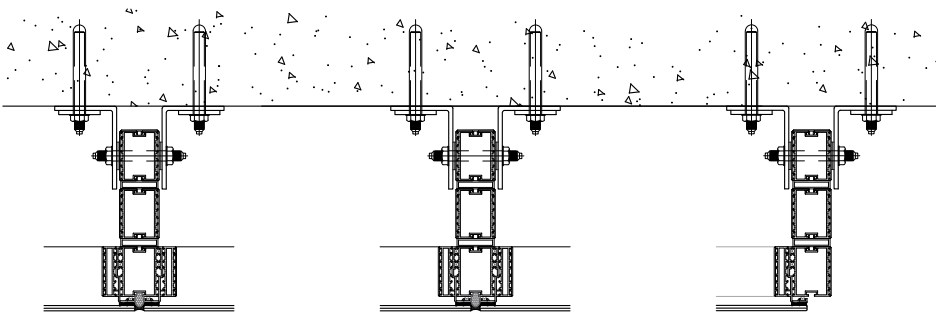
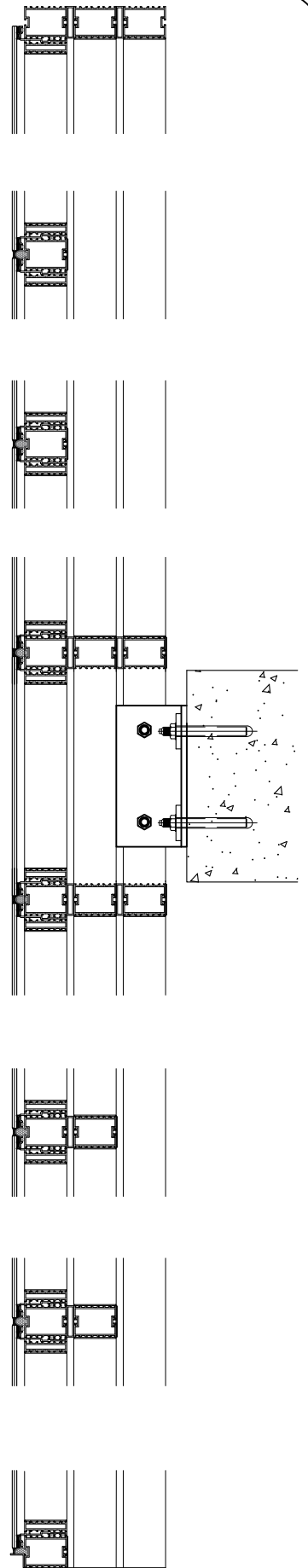
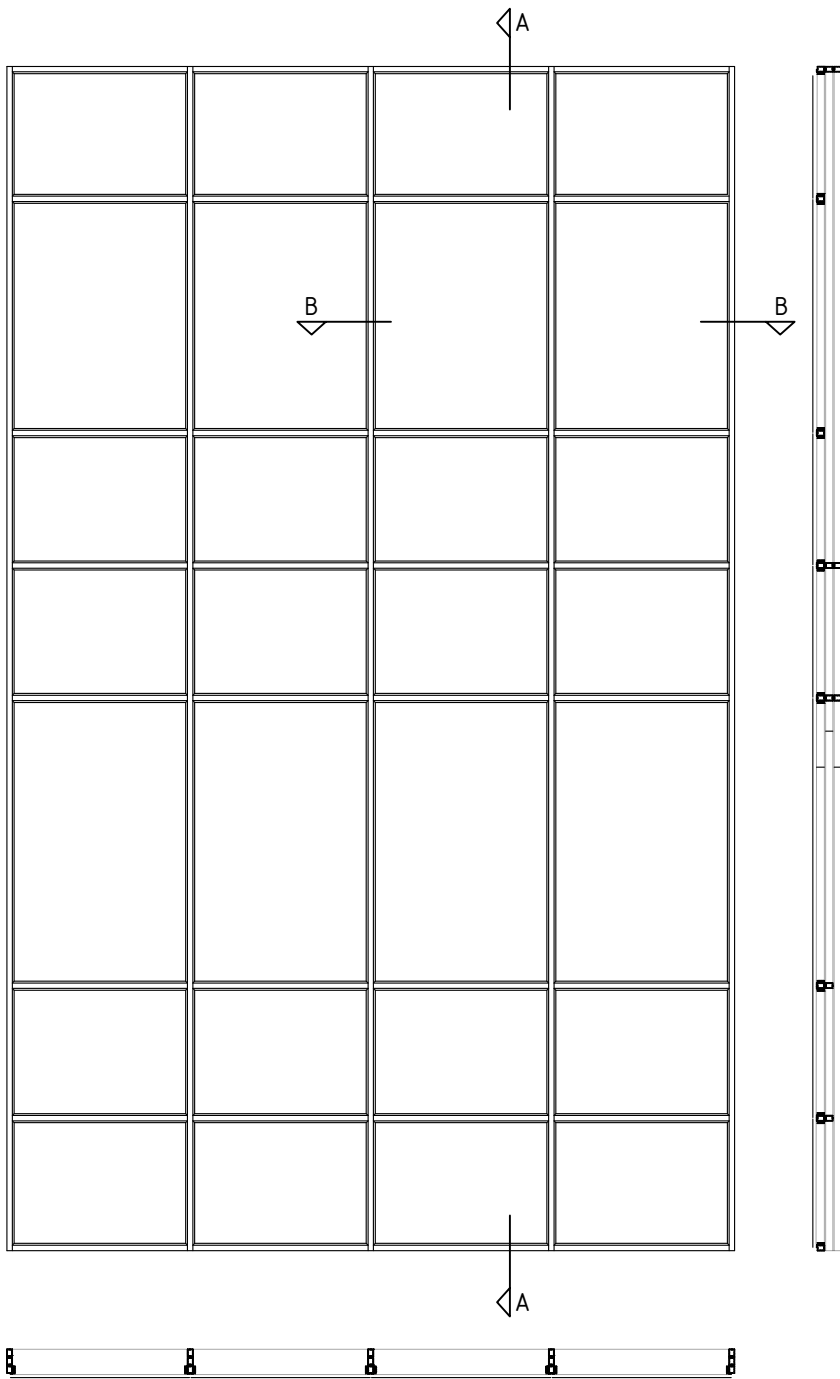


SECTION B-B

SECTION A-A

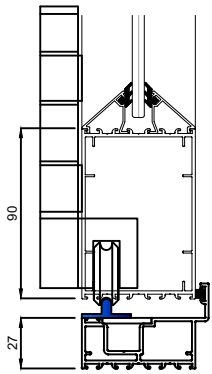
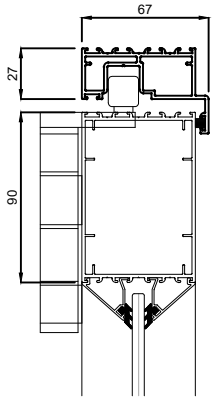


SECTION C-C

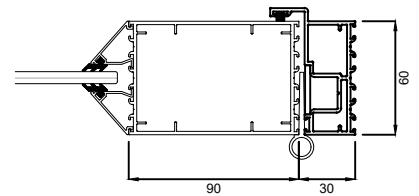
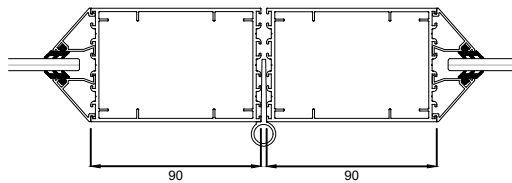
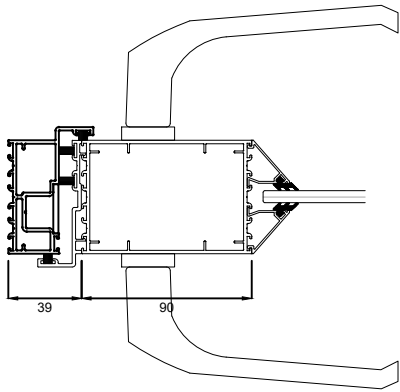
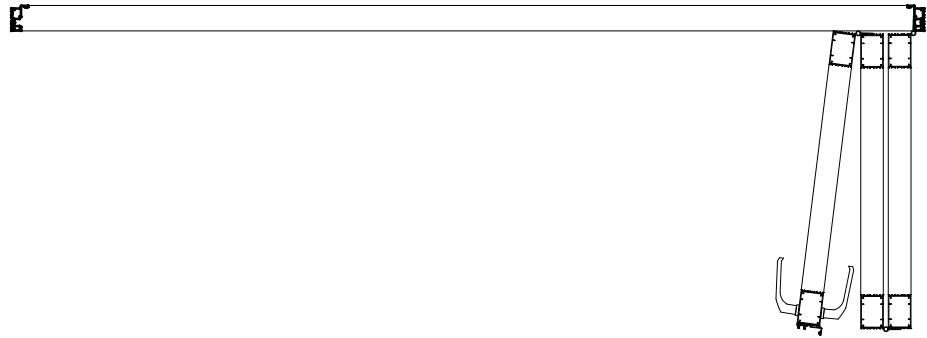
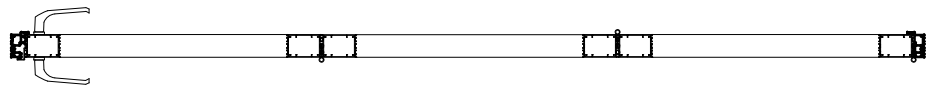
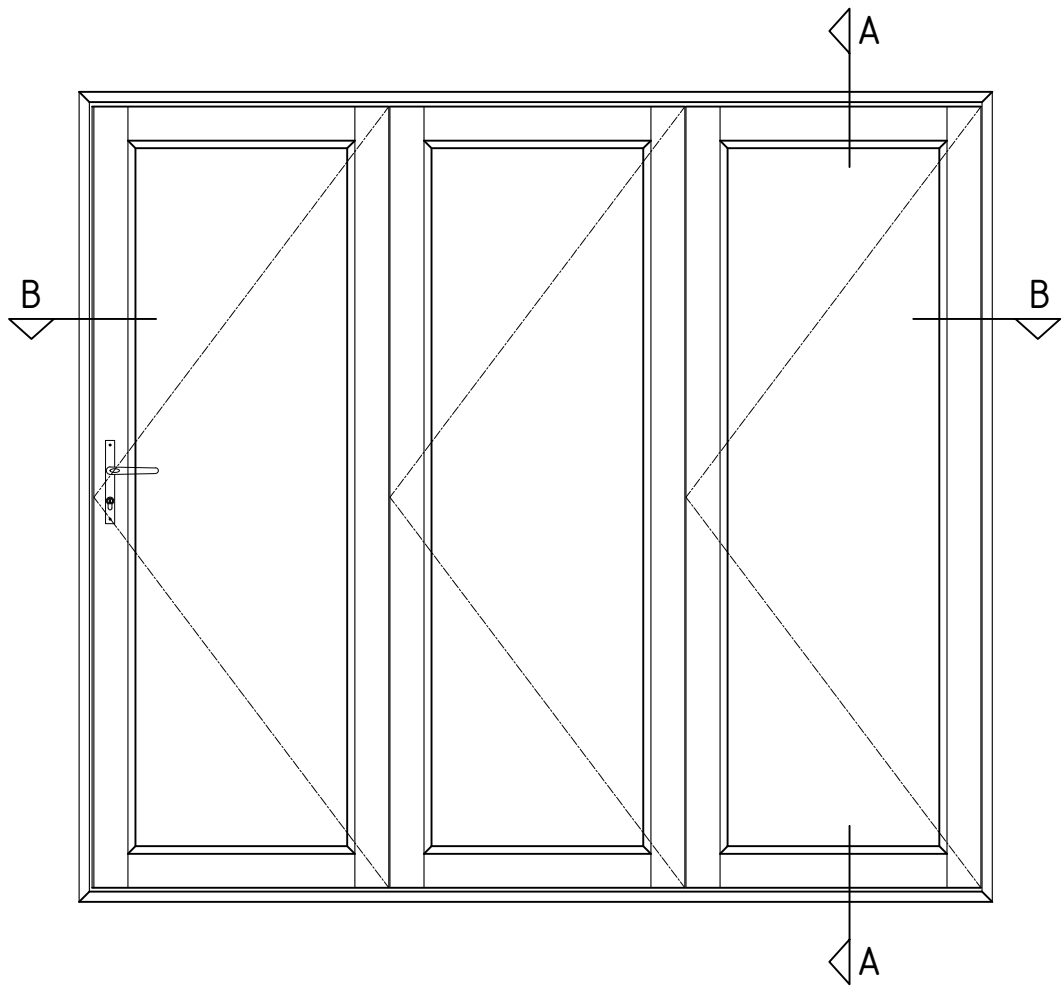


SECTION B-B

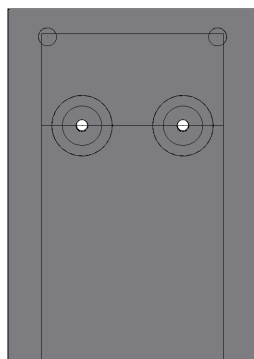
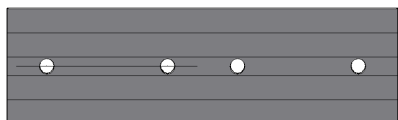
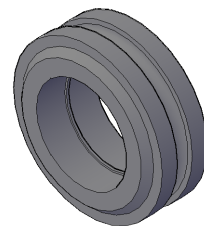
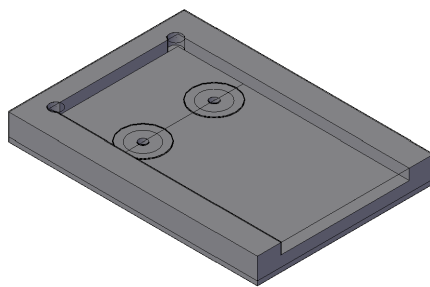
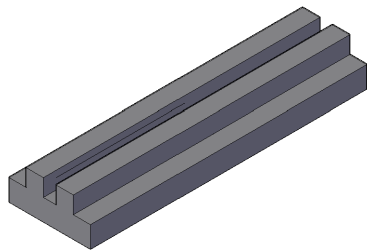
SECTION A-A



SECTION A-A



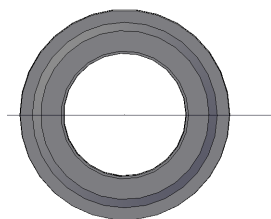
SECTION B-B



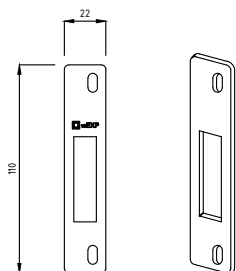
TOP GUIDE



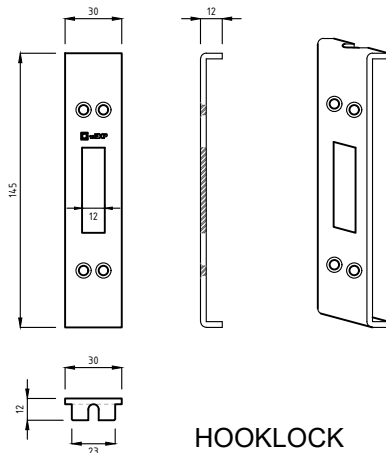
DRILL JIG



BOTTOM ROLLER



LEVERLOCK STRIKER PLATE



HOOKLOCK STRIKER PLATE